

SECURI-LID®

ROLLER SHUTTER SYSTEMS

USER GUIDE & WARRANTY

21
SECURI-LID
ROLL-TOP COVER **8**



engineering excellence

IMPORTANT SAFEGUARDS

- Ensure your Securi-Lid has been registered online at www.securi-lid.co.za in order to validate your warranty of your Securi-Lid.
- It is recommended to keep your instruction manual in your vehicle to have the unit details and Securi-Lid contact numbers at hand.
- Never force your key left or right in the barrel as it can break off in the key chamber.
- Check that the key slot is in the unlocked position when closing the Securi-Lid to avoid keys being locked inside the load area.
- Keep the dust cover over the lock in the closed position to avoid dirt and dust from getting into the key chamber.
- When releasing the door, ensure you hold onto the strap and allow the door to roll back in a controlled manner.
- The roller door is spring loaded and damage to the roller door can be caused by it rolling back in an uncontrolled manner.
- The Securi-Lid is not 100% waterproof or dustproof. No pressurised seal can be created with a roller door.
- The Securi-Lid can carry a uniformly distributed load of 500kg. Loading items directly onto the Securi-Lid may cause scratches and damage.
- Do not leave small objects on top of the roller door when opening as it may slip into the canister. This may cause the door to jam and become damaged.
- When closing the Securi-Lid, make sure the strap is inside the load box to avoid it getting caught up outside the vehicle.
- Unsuitable chemicals and cleaning detergents are not recommended for cleaning the unit. (See Maintenance and cleaning).
- Styling bars are for decorative purposes only and are not intended to provide safety protection.

OPERATING INSTRUCTIONS

UNLOCKING AND LOCKING

To unlock your Securi-Lid lift the dust cover and insert the key into the lock cylinder in the 10 o'clock position and rotate it 90 degrees to the 2 o'clock position.

To lock the Securi-Lid lift the dust cover and insert the key into the lock cylinder in the 2 o'clock position and rotate it 90 degrees to the 10 o'clock position.

OPENING

- Lift the handle and let the door roll back gently while holding with one hand.
- Take hold of the strap attached to the locking rail and allow the roller door to retract in a controlled manner.

CLOSING

- Hold the strap and pull it towards you.
- Hold onto the locking rail and place the strap into the load bin
- Gently pull the locking rail towards the tailgate till you hear the latch engage.



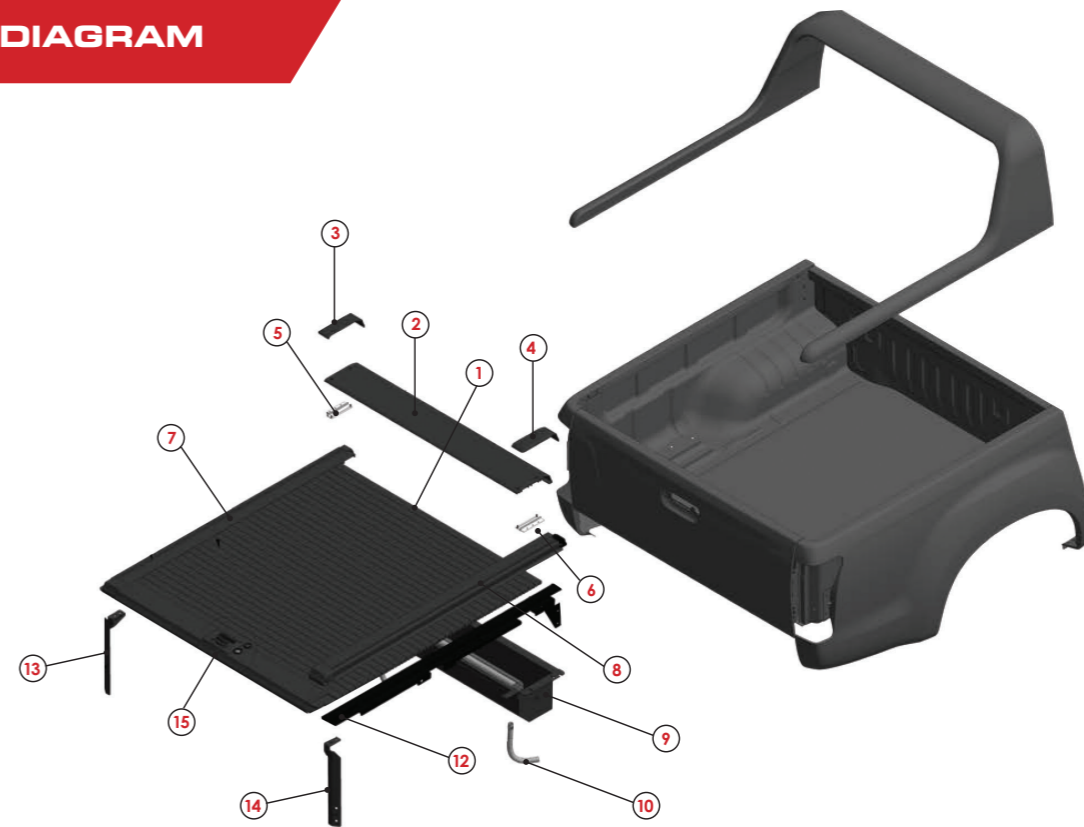
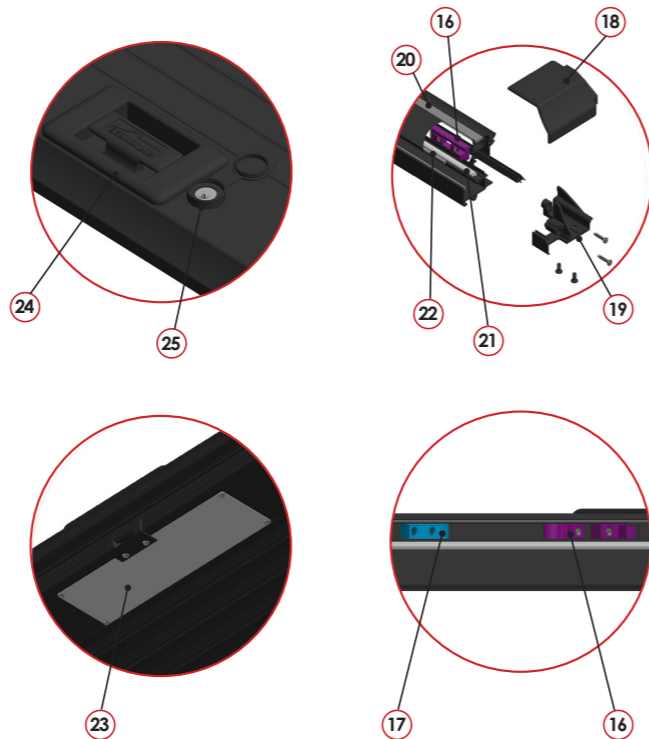
DETAILED VIEW OF PARTS

UNIT DIAGRAM

PARTS DESCRIPTION

ITEM NO DESCRIPTION

1	Roller door
2	Lid
3	LHS Lid end cap
4	RHS Lid end cap
5	LHS Lid mounting bracket
6	RHS lid mounting bracket
7	LHS side rail
8	RHS side rail
9	Canister assembly
10	Drain pipe
11	LHS Side angle
12	RHS Side angle
13	LHS rear reinforcing bracket
14	RHS rear reinforcing bracket
15	Locking rail
16	End stopper
17	Mid stopper
18	Rear side rail end cap outer
19	Rear side rail end cap inner
20	Accessory channel sealing strip
21	Side rail wear strip
22	Whoolpile
23	Locking rail inspection cover
24	Handle
25	Lock



218
SECURI-LID
 ROLL-TOP COVER

MAINTENANCE AND CLEANING

GENERAL CLEANING:

- Do not use thinners, acetone, spirits, petrol or any other abrasive agents to clean your Securi-Lid.
- Car cleaning soap is recommended.
- You may clean with a high pressure cleaner. Do not spray under high impact or at close range.
- During cleaning, water may enter the vehicle due to the high volume of water flow.

SIDE RAILS:

- Keep side rail sections clean of excess dirt and sand by using a rag to wipe the inner section.
- Spray a silicone based lubricant to lubricate rails for smoother action.

DRAIN PIPES:

Check drain pipes are free of dirt and allow water to flow freely.

To clean follow this procedure:

- Loosen hose clamp on canister.
- Pull pipe off canister.
- Once removed; check that drain channels are clear of any leaves or built up dirt.
- Use high pressure water to flush out drain pipes and the canister fitting.

NOTE: DO NOT push a sharp object through the canister fitting as you may damage the roller door in the canister.

The obligation in terms of this warranty shall be limited to repairing or replacing any part or parts, which in the opinion of Securi-Lid (Pty) Ltd, are defective in materials or workmanship under normal use and service during the warranty period commencing on the date of the first retail purchase.

The warranty does not apply if the unit has been subject to negligence, accident, abuse, misuse, improper maintenance, or has been repaired or altered by someone other than Securi-Lid (Pty) Ltd, it's authorised agents or approved fitment centres.

In order to validate this warranty, your purchase must be REGISTERED ONLINE - www.securi-lid.co.za, no later than 7 days following the purchase of the unit.

Any defect must be reported to the regional distributor (listed on the website of Securi-Lid (Pty) Ltd) forthwith, but in any event no later than ten days after the defect arose. The regional distributor will make arrangements for the unit to be inspected. If the inspection reveals that the unit is not defective or the warranty is excluded, you will be liable for the costs of the inspection.

Insofar as the Consumer Protection act 68 of 2008 may be applicable, the provisions of this Act shall prevail over the terms and conditions of this warranty.

SERVICE HISTORY

Date : Date :

Serviced by : Serviced by :

Contact us : Contact us :

Date : Date :

Serviced by : Serviced by :

Contact us : Contact us :

WARRANTY

Securi-Lid (Pty) Ltd warrants that the unit operated under normal use will be free from defects in materials and workmanship for a period of one year following the original purchase, subject to the following requirements, exclusions and limitations:



21
SECURI-LID **8**
ROLL-TOP COVER

SECURI-LID[®]
ROLLER SHUTTER SYSTEMS
engineering excellence

CALL: 0860 10 5619
VISIT: www.securi-lid.co.za

CERTIFIED ISO 9001: 2015
ISO 14001: 2015